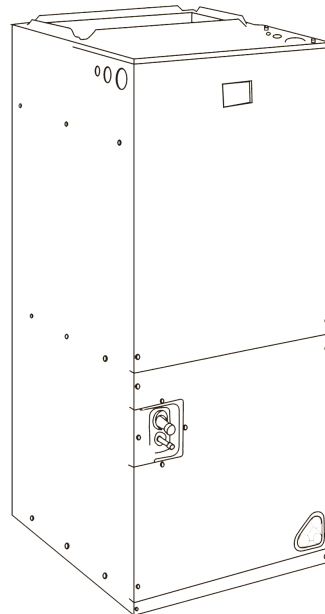




TROUBLESHOOTING GUIDE

COMPACT VERTICAL AIR HANDLER

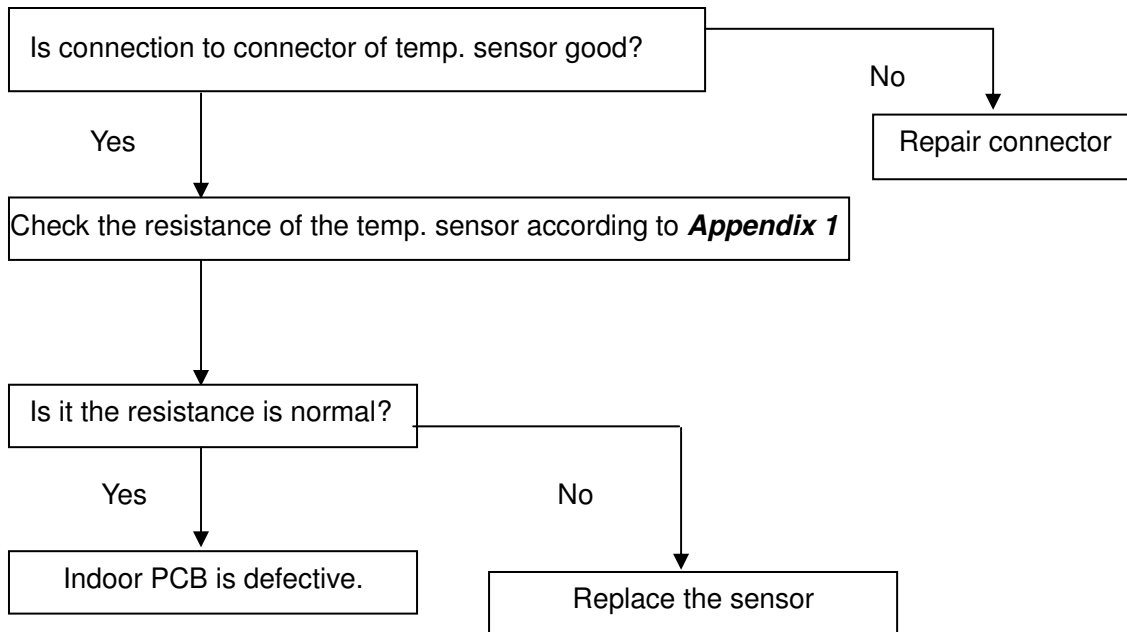
DXC18C2AN1
DXC24C2AN1
DXC36C2AN1
DXC48C2AN1
DXC60C2AN1



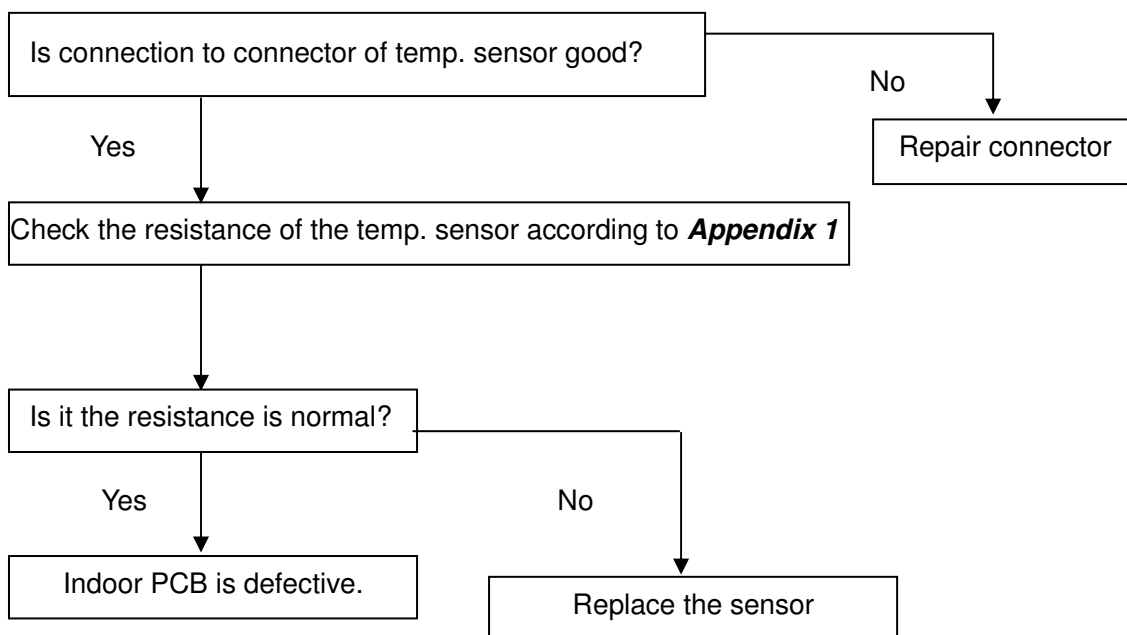
2.2. Solving steps for typical malfunction

(1) For indoor unit

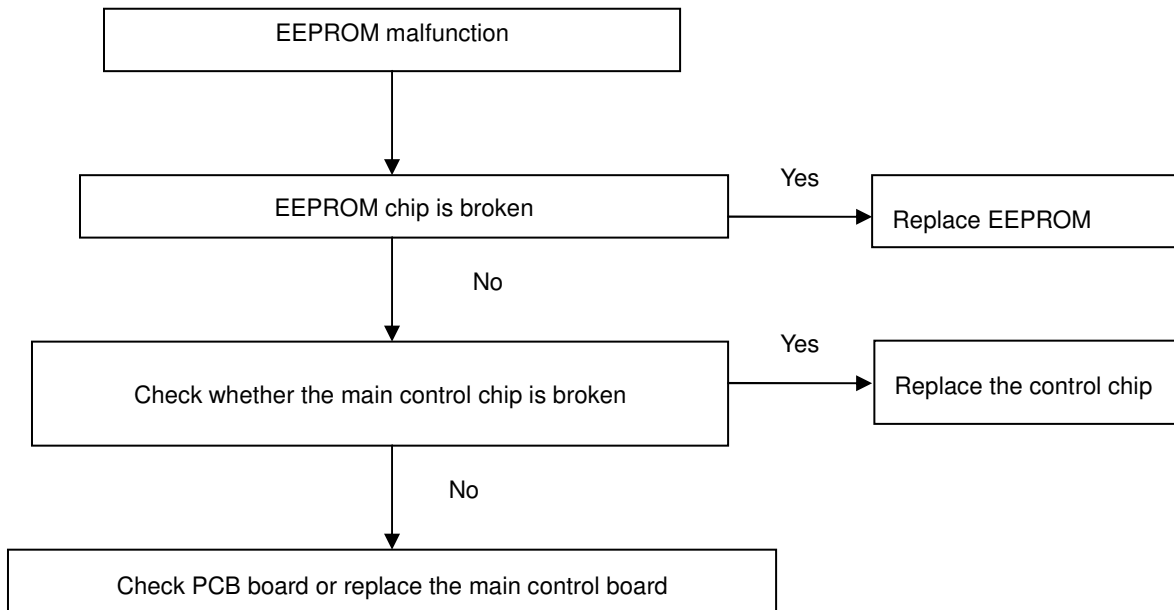
a. Indoor room temperature T1 and sensor evaporator temperature sensor T2 is abnormal



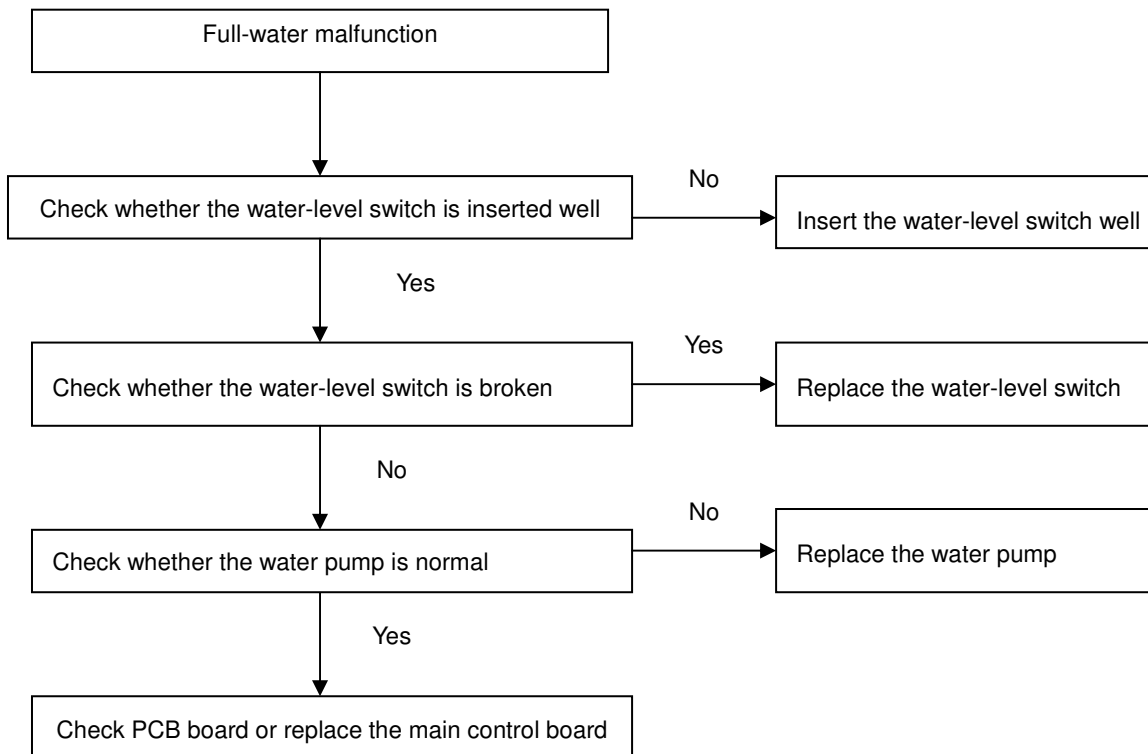
b. Condenser temperature sensor T3 is abnormal



c. EEPROM malfunction

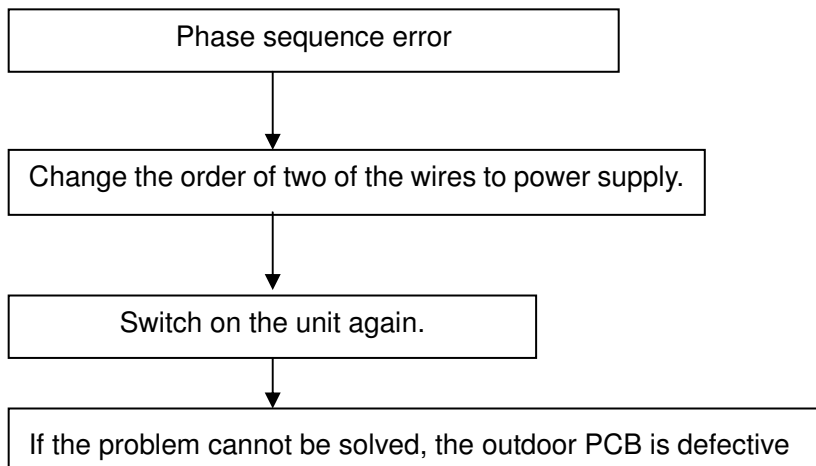


f. Full-water malfunction

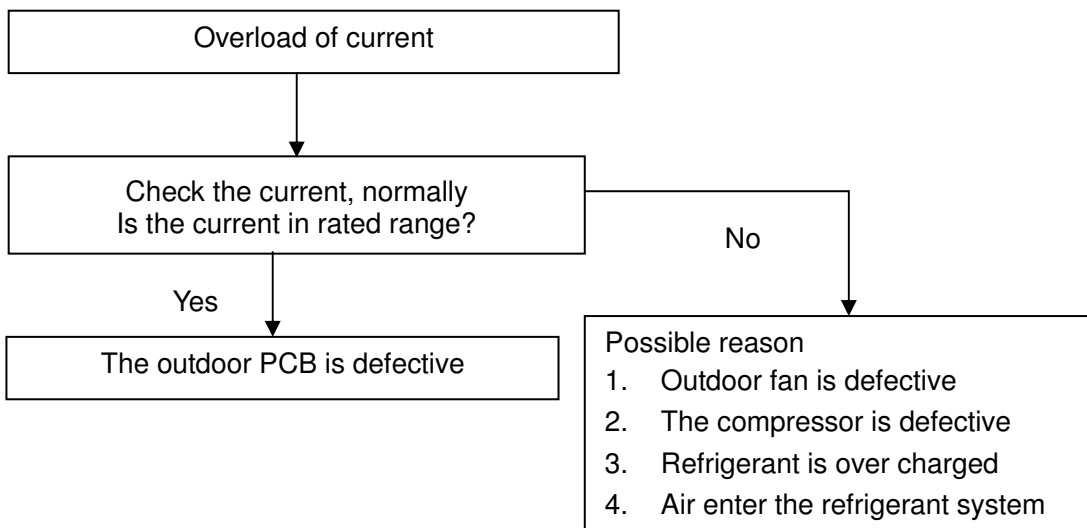


(2) For the outdoor unit

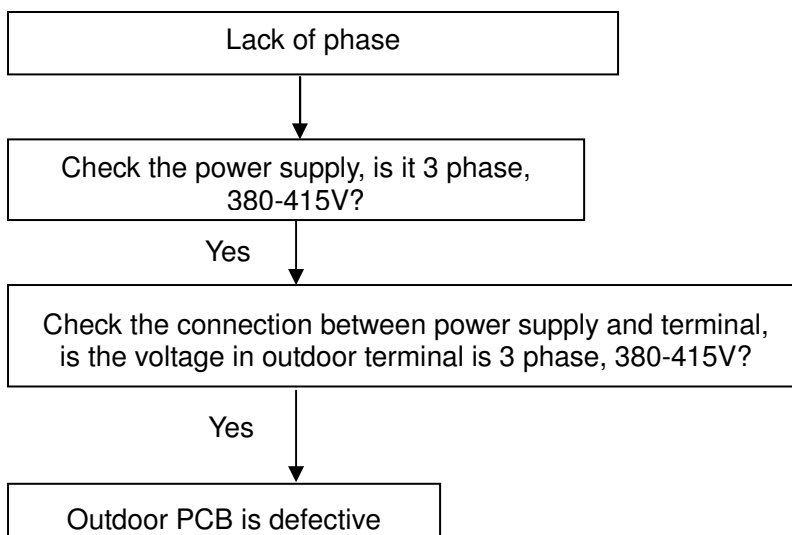
a. Phase sequence error:



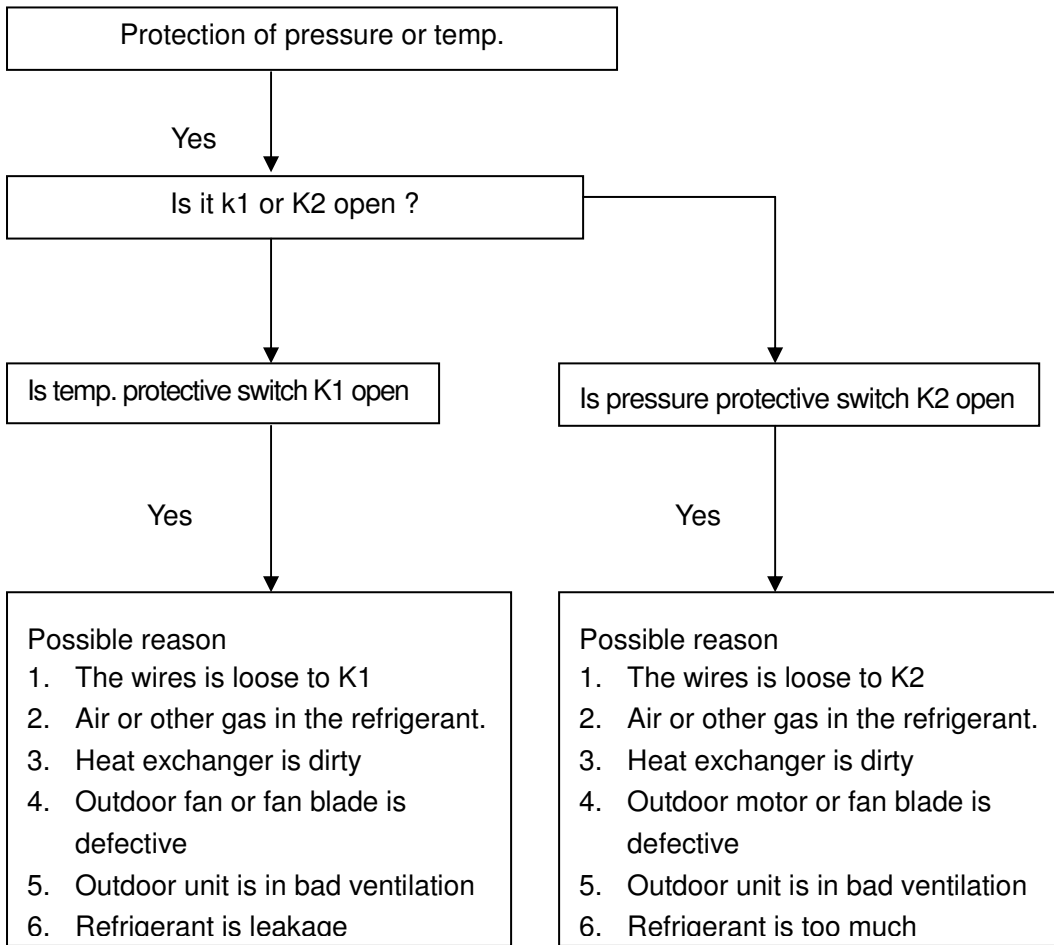
b. Overload of current



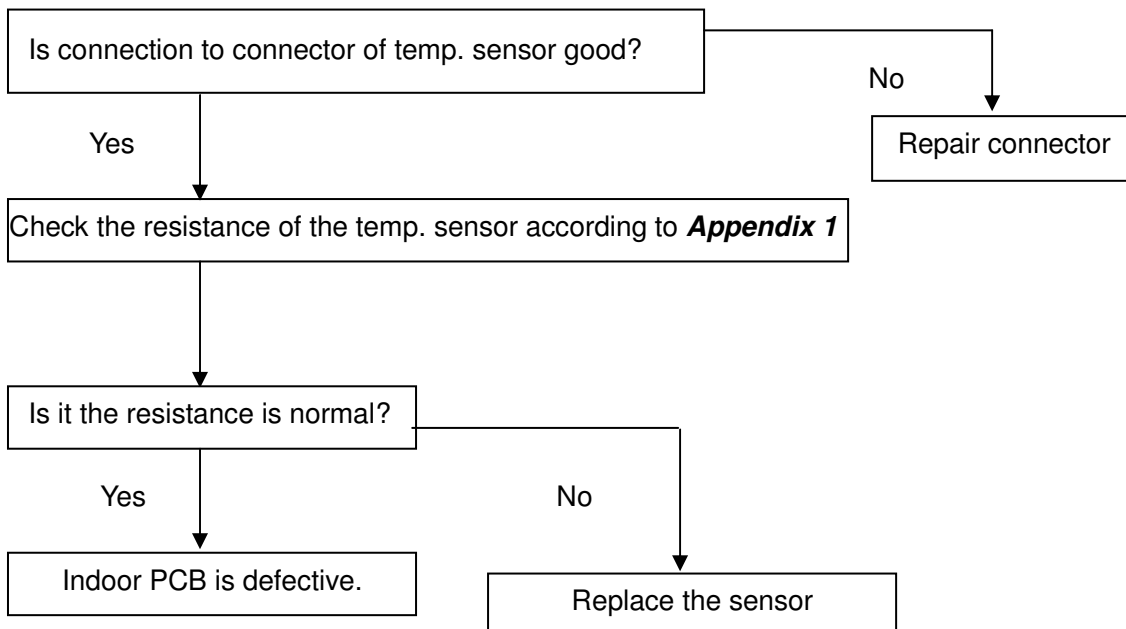
c. Lack of phase



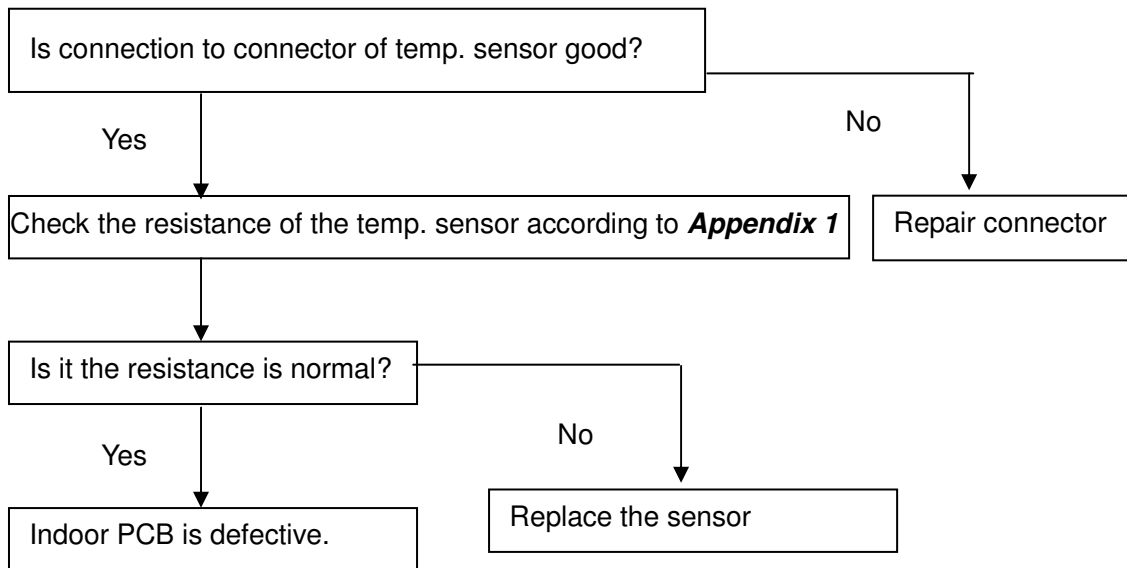
d. Protection of pressure or temp.



e. Open-circuit and short-circuit trouble of T3



f. Open-circuit and short-circuit trouble of T4



g. High temperature protection of condenser

